

PRODUCT INFORMATION PACKET

Model No: 056H17T15528

Catalog No: Y281

0.75 HP Variable Speed Motor, 3 phase, 1800 RPM, 230/460 V, 56C Frame, TENV
1000:1 with Encoder Motors





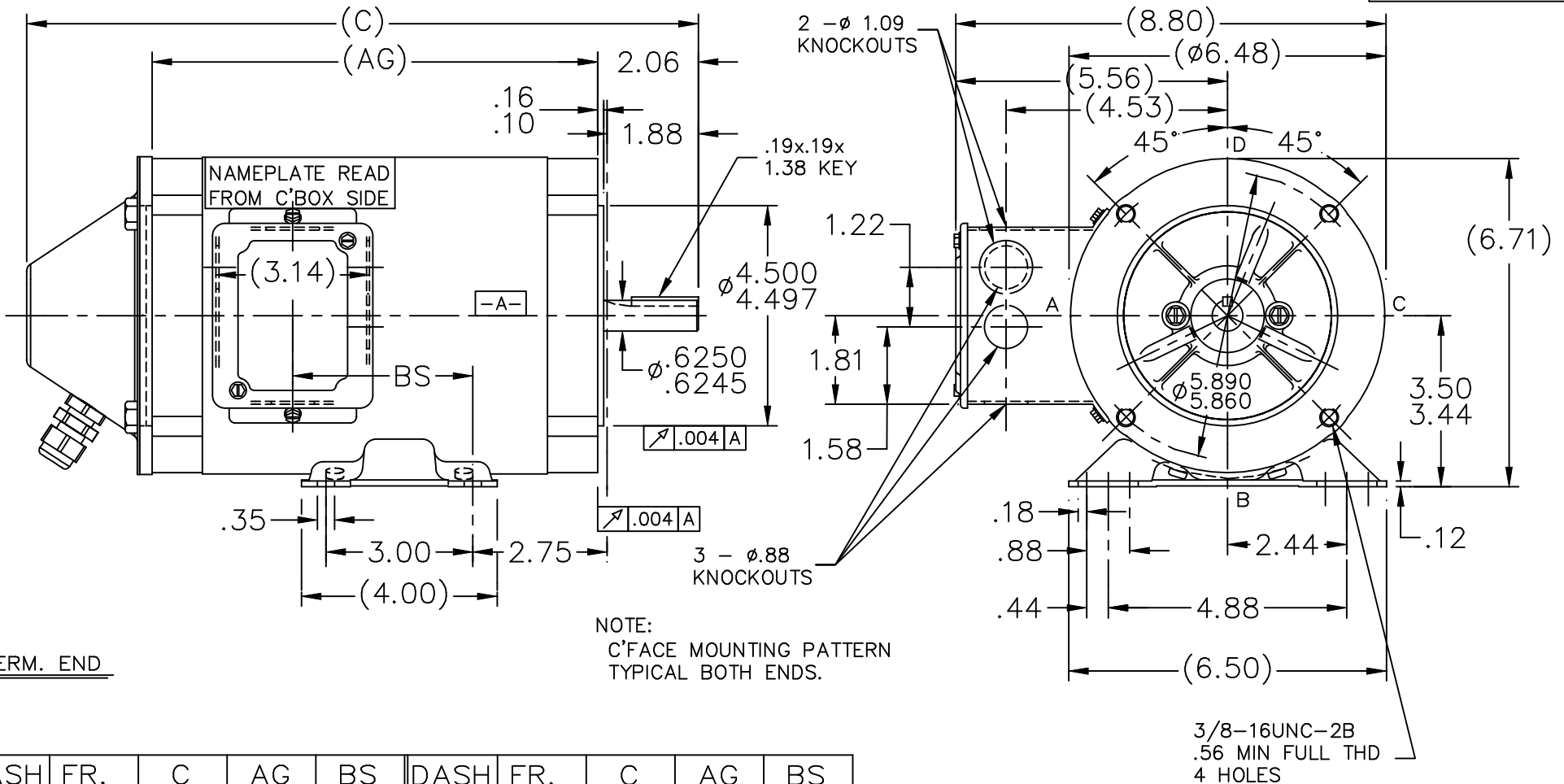
Nameplate Specifications

Output HP	0.75 Hp	Output KW	0.56 kW
Frequency	60 Hz	Voltage	230/460 V
Current	2.4/1.2 A	Speed	1725 rpm
Service Factor	1	Phase	3
Efficiency	82.5 %	Power Factor	73.5
Duty	Continuous	Insulation Class	H
Design Code	INV	KVA Code	P
Frame	56C	Enclosure	Totally Enclosed Non Ventilated
Thermal Protection	No	Ambient Temperature	40 °C
Drive End Bearing Size	6203	Opp Drive End Bearing Size	6203
UL	Recognized	CSA	Y
CE	Y	IP Code	43

Technical Specifications

Electrical Type	Squirrel Cage Inverter Duty	Starting Method	Inverter Only
Poles	4	Rotation	Reversible
Resistance Main	17.5 Ohms	Mounting	Bolt-on Base
Motor Orientation	Horizontal	Drive End Bearing	Ball
Opp Drive End Bearing	Ball	Frame Material	Rolled Steel
Shaft Type	NEMA 56	Overall Length	14.24 in
Frame Length	7.56 in	Shaft Diameter	0.625 in
Shaft Extension	2.06 in	Assembly/Box Mounting	F1 ONLY
Connection Drawing	A-EE7308	Outline Drawing	A-107388-756

This is an uncontrolled document once printed or downloaded and is subject to change without notice. Date Created:18/06/2020



NOTE:
C'FACE MOUNTING PATTERN
TYPICAL BOTH ENDS.

3/8-16UNC-2B
.56 MIN FULL THD
4 HOLES

TERM. END

NOTES:
1. REMOVABLE BASE
2. CONDUIT BOX CAN BE ROTATED 180°.

DASH	FR.	C	AG	BS	DASH	FR.	C	AG	BS
					756	56-75	14.24	9.61	4.25
606	56-60	12.74	8.11	2.75	806	56-80	14.74	10.11	4.75
656	56-65	13.24	8.61	3.25	856	56-85	15.24	10.61	5.25
706	56-70	13.74	9.11	3.75					

				TOLERANCES UNLESS SPECIFIED			DRAWN JJB 03-26-2008						
				DEC.	INCHES		CHK ML 03-27-2008						
				.X	±.1		APPD GK 03-27-2008						
				.XX	±.03		SCALE 5=16						
				.XXX	±.005		REF 104043A						
				.XXXX	±.0005	TITLE OUTLINE - HS 20 TACH. 56 FR. - TENV - BB - DBL. C'FACE							
				ANG	±7'30"	MAT'L.							
				FINISH		REF MU86303							
						PREV ME080078							
NO.	REVISION			BY & DATE		CHK	RFP		SIZE	DRAWING NO.	PAGE	OF	REV.
							CAD FILE 107388		A	107388			
							DIST WP						

THIS DRAWING IN DESIGN AND DETAIL IS OUR PROPERTY AND MUST NOT BE USED EXCEPT IN CONNECTION WITH OUR WORK ALL RIGHTS OF DESIGN AND INVENTION ARE RESERVED THIS IS AN ELECTRONICALLY GENERATED DOCUMENT - DO NOT SCALE THIS PRINT

EE7308

THREE PHASE
DUAL VOLTAGE MOTOR



VIEW OF TERMINAL END

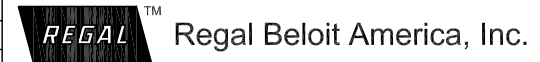
REF.
WINDING DIAGRAM

T8Y, T2Y, T2BL, T4BX, T2EC, T2G
T6BZ, T2B, T6BL, T4AV, T6B, T4B

OPTIONAL CORD
CONNECTION

L1 — WHITE
L2 — RED
L3 — BLACK

NO.		REVISION		BY & DATE		CHK		ANG		FINISH		PREV	
5	CHG TO REGAL LOGO	SL	09/10/2015	AB									
4	REVISED IEC NOTATIONS	MSG	11/15/2011	CMN	.X	±.1							
3	ADDED IEC NOTATIONS... (U1), (V1) ETC. MU95194	MSG	5/10/2010	MJS	.XX	±.02							
2	ADDED THE OPTIONAL CORD CONNECTION MU46318	RDH	04/24/2003	DRS	.XXX	±.005							
1	REDRAWN	RM	11/20/1990		.XXXX	±.0005							
THIS DRAWING IN DESIGN AND DETAIL IS OUR PROPERTY AND MUST NOT BE USED EXCEPT IN CONNECTION WITH OUR WORK ALL RIGHTS OF DESIGN AND INVENTION ARE RESERVED THIS IS AN ELECTRONICALLY GENERATED DOCUMENT - DO NOT SCALE THIS PRINT		RFP											
		DIST	WP										
										CAD FILE	ee7308	SIZE	A
										DRAWING NO.	EE7308	PAGE	OF
													REV.
													5



TITLE CONNECTION DIAGRAM
3Ø - DUAL VOLTAGE MOTOR

DRAWN	RM	11/20/1990
CHK	ML	11/21/1990
APPD	SAS	04/24/2003
SCALE	1=1	
REF		
FMF		
PREV		

NONE	P/N	NONE	
NONE	NONE		
NONE FT-LB	NONE V	NONE Hz	

DATE: 06/28/2017 01:08:00 AM
FORM 3531 REV.3 02/07/99
** Subject to change without notice.



MARATHON ELECTRIC CORPORATION
TYPICAL PERFORMANCE CURVE for AC MOTOR

Customer

Curve at

460 Volts
60 HZ
0.75 HP

HP 0.75

PHASE 3

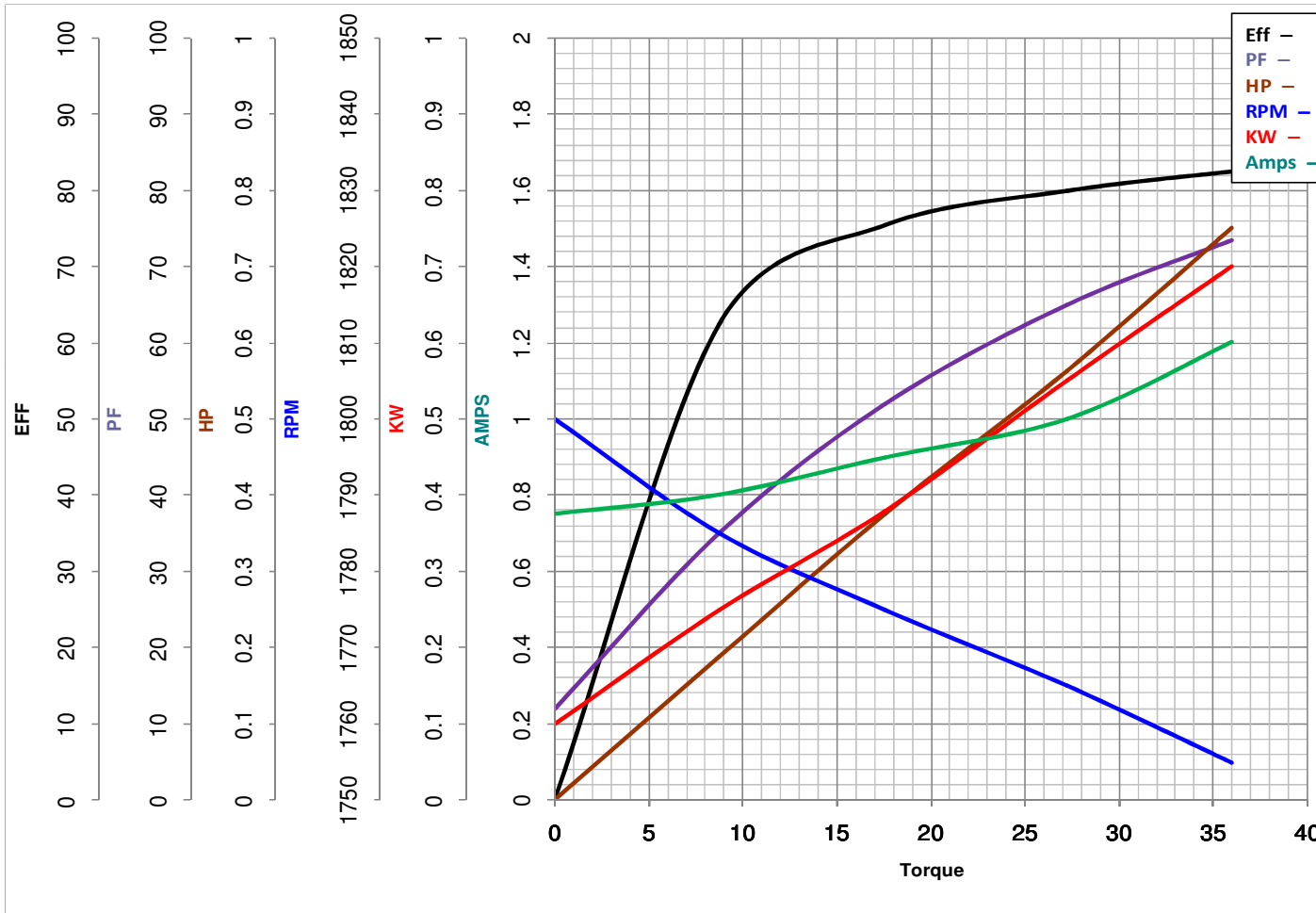
Model No 56H17T15528

VOLTS 230/460

Catalog No Y281

HZ 60

RPM 1725



Torque in Oz.Ft

FL TORQUE 36 Oz.Ft
BD TORQUE 163.2 Oz.Ft
LR TORQUE 156.8 Oz.Ft

FL AMPS 2.4/1.2
PU TORQUE 147.2 Oz.Ft
LR AMPS 12

WINDING ZT449-3

Date 1/24/2019